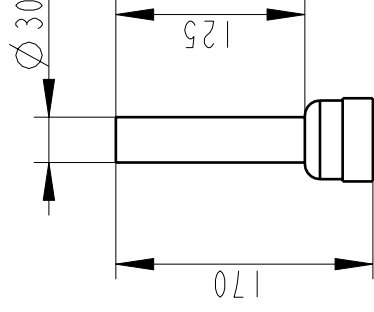
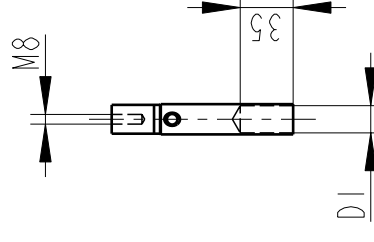


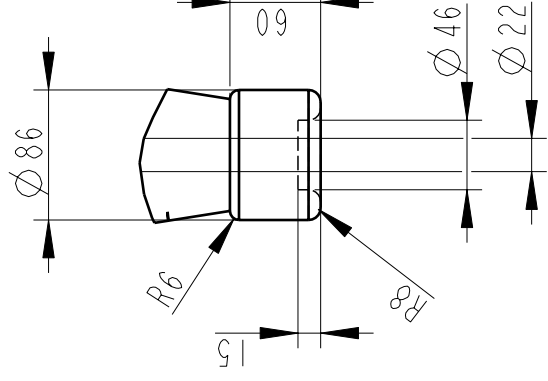
OUTER TERMINAL



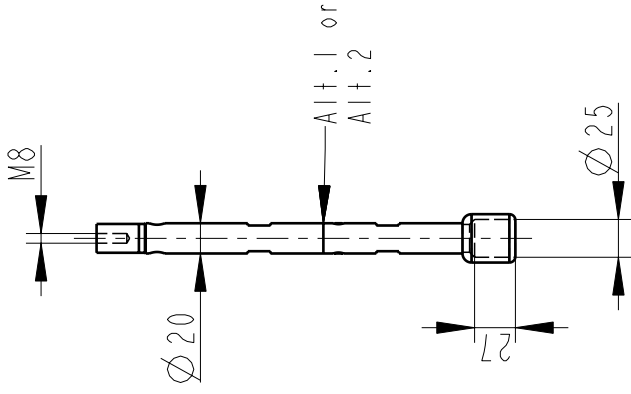
INNER TERMINAL FOR STRANDED CABLE



END SHIELD



SOLID ROD CONNECTOR



The solid rod can be divided either:
 Alt.1: 20mm below the bushing flange or
 Alt.2: 20mm below the upper end of the bottom porcelain

Bushing Data:

Rated Voltage	72.5	kV
Phase to Ground Voltage	72.5	kV
Dry Lightning Impulse 1,2/50µs	350	kV
Wet power frequency AC	140	kV
Routine test Imin dry 50Hz	160	kV
Rated Current	800	A
Creepage Distance	1980±50	mm
Creepage Distance Protected	775	mm
Mass	27	kg

Ordering Data:

BUSHING COLOUR AIR INSULATOR

LF123025-K BROWN
 -L LIGHT GREY

OUTER TERMINAL

LF 170 002-A Cu, Ø30, L=125
 LF 170 001-A Al, Ø30, L=125

OTHER TYPES ON REQUEST

INNER TERMINAL FOR STRANDED CABLE

For brazing Conductor area D1
 LF 170 011-S up to 150mm² Ø18
 LF 170 011-U Undrilled with pilot hole Ø5

For crimping or brazing

Conductor area D1
 LF 170 010-M 50mm² Ø11
 LF 170 010-N 70mm² Ø13
 LF 170 010-L 95mm² Ø15

SOLID ROD CONNECTOR

LF 170 019 -F for Alt.1
 N/A for Alt.2

ABB Components		Luvia, Sweden	
No.	kg	kV	A 50/60 Hz
Urdu	L	V	kV
LI, SI, AC	mm	V	
M	kg	L	
C1	pF	Tan δ	
C2	pF	Tan δ	

Based on	Reg. No.
Prepared	Responsible department
LÖVnord	COM/BK
Approved	Take over department
Johansson	Database
Design engineering review	
Hedlund	

Title		Language	
GOB 325-800-0		82	
WITHOUT OIL LEVEL GAUGE		Page	
SHORT END SHIELD		I(1)	

ABB Components



ABB Components

2751369-121

Document No.

2751369-121